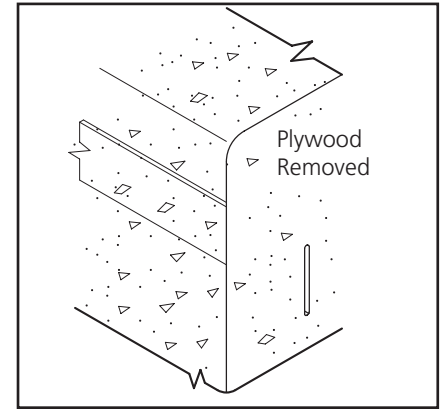
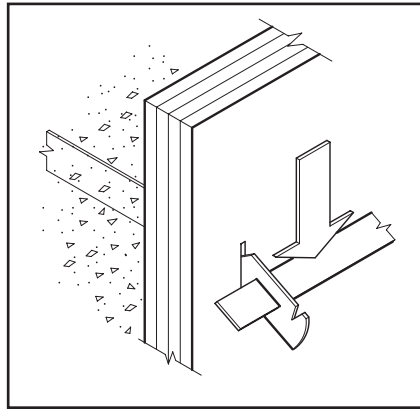
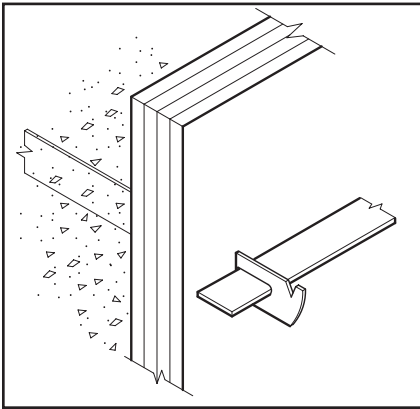
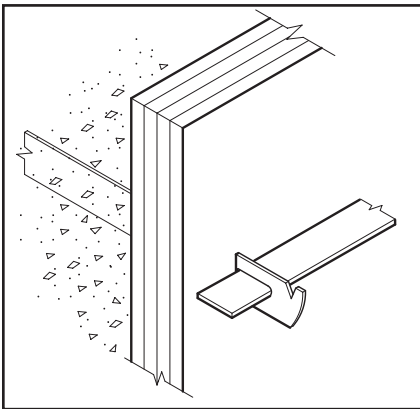


Quick Strip Ty System

The **AR Quick Strip Ty System** is designed to provide a true, smooth wall for light forming applications. The AR Quick Strip Tys are designed to be simply inserted through pre-manufactured slots in 20 mm (¾") plywood form panels. They are secured in place by using a waler bar, which allows for quick form erection as well as efficient form stripping operations.



Quick Strip Ty



AR Quick Strip Tys are available for wall thicknesses ranging from 100 mm to 750 mm (4" to 30") and are designed to reduce waler and bracing requirements.

SAFE WORKING LOAD
5 kN (1,150 LBS)
2:1 Safety Factor

To order, please specify the following information

EXAMPLE
Name Quick Strip Ty
Length wall thickness
Quantity 250
SWL is based on an approximate 2:1 Factor of Safety

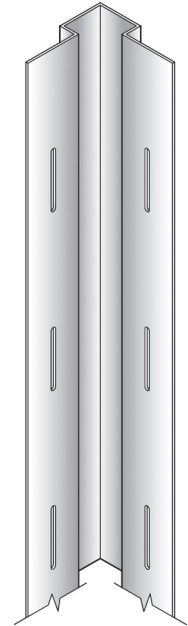
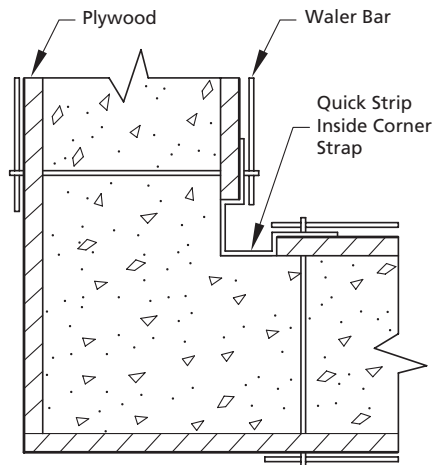
Quick Strip Inside Corner Strap

The **AR Quick Strip Inside Corner Strap** provides a reliable method to obtain plumb and true connection corner details when forming. The Quick Strip Inside Corner Straps are held in place by allowing the Quick Strip Tys to pass through the prefabricated plywood slots. Once the Tys are broken, the corner straps are easily stripped.

SAFE WORKING LOAD
5 kN (1,150 LBS)
2:1 Safety Factor

To order, please specify the following information

EXAMPLE
 Name . Quick Strip Inside Corner Strap
 Quantity 200
 SWL is based on an approximate 2:1 Factor of Safety



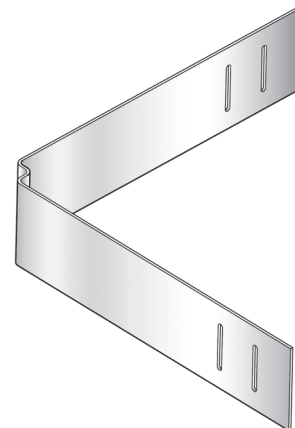
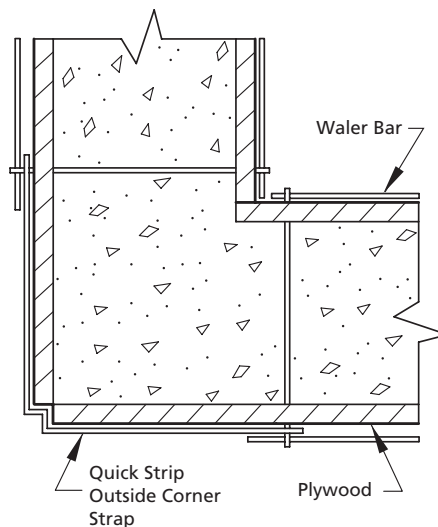
Quick Strip Outside Corner Strap

AR Quick Strip Outside Corner Straps are simply fitted over the ends and held in place by the waler bar. There is no need for any additional connection details. When stripping, simply breaking the Tys to free up the corners.

SAFE WORKING LOAD
5 kN (1,150 LBS)
2:1 Safety Factor

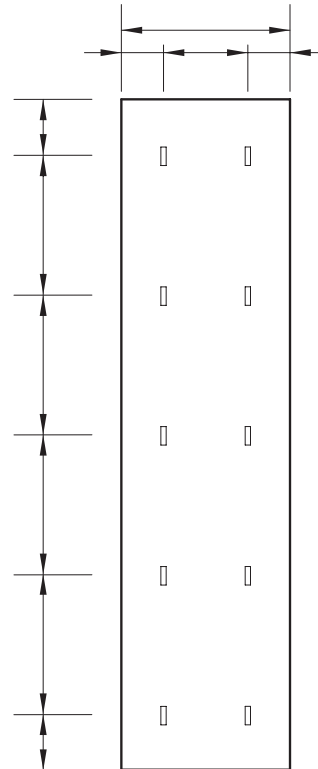
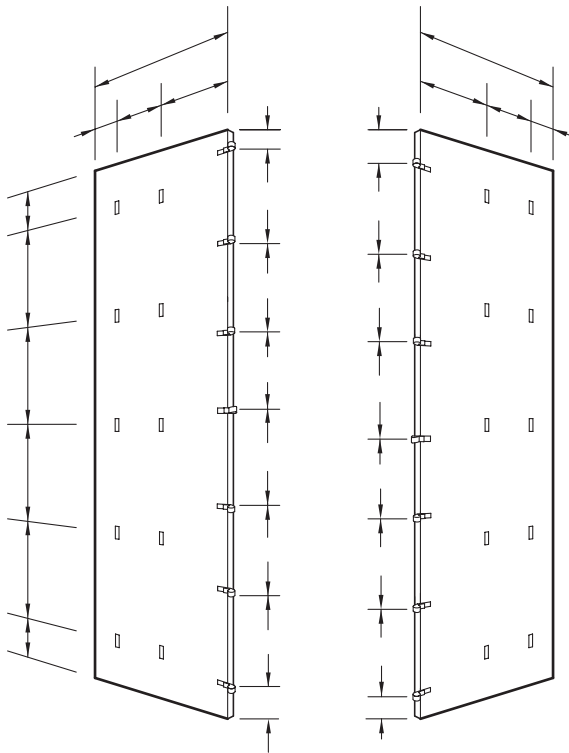
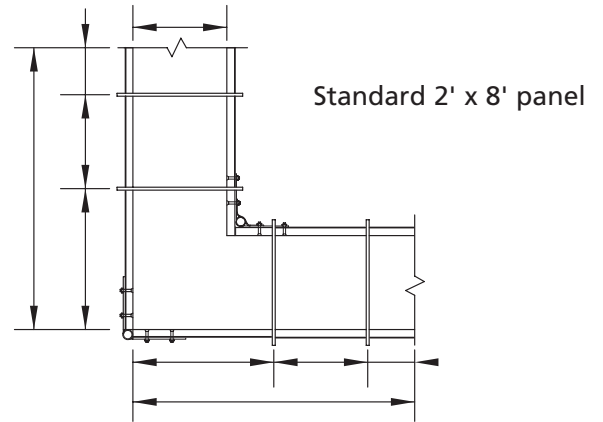
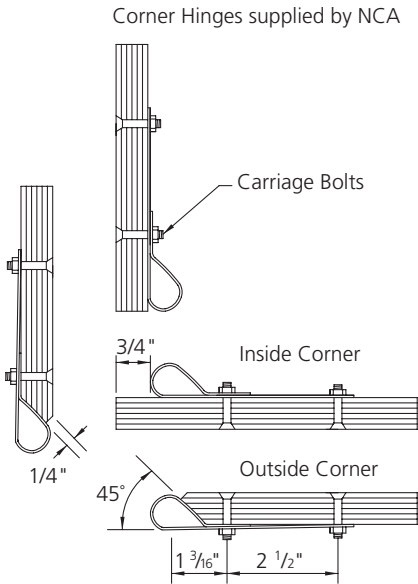
To order, please specify the following information

EXAMPLE
 Name Quick Strip
 Outside Corner Strap
 Quantity 200
 SWL is based on an approximate 2:1 Factor of Safety



Quick Strip Form Panel Construction

Form panels are easily built. Rout $\frac{1}{4}$ " x 1" ty slots in $\frac{3}{4}$ " plywood. A template out of $\frac{1}{4}$ " plywood 6" x 7" cut-outs centered over the location where the ty slots are to be cut. A 6" x 6" x $\frac{1}{4}$ " block fastened to the face of an electric router using a $\frac{1}{4}$ " carbide bit will cut the ty slots the required size, $\frac{1}{4}$ " x 1". If desired, 4' x 8' outside panels may be used.



NOTE: AR Quick Strip Tys can be used without plywood panels, if desired. Tys can be slipped between common board and steel bars set vertically, eliminating most of the nailing and waling required.

Please consult your local AR Technical Representative or our Technical Department for Ty spacing.

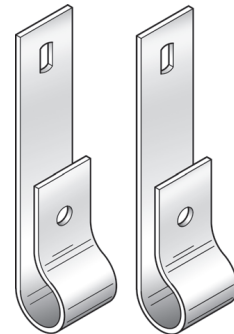
Corners are made from $\frac{3}{4}$ " plywood, and hinges supplied by AR. Corner shown is the standard 2' and works best on most jobs. Corners are connected by inserting a $\frac{5}{8}$ " rod through the hinges.

Quick Strip Corner Hinges

AR Quick Strip Corner Hinges provide an alternative method to achieving corner details. Hinges are secured to the Form Ply by using a simple carriage bolt. The hinges allow for a 15 mm ($\frac{5}{8}$ ") smooth rod or rebar to pass through, holding the forming securely in place. The corner hinges are designed to work for both inside and outside corners.

To order, please specify the following information

EXAMPLE
 Name Corner Hinges
 Quantity 200



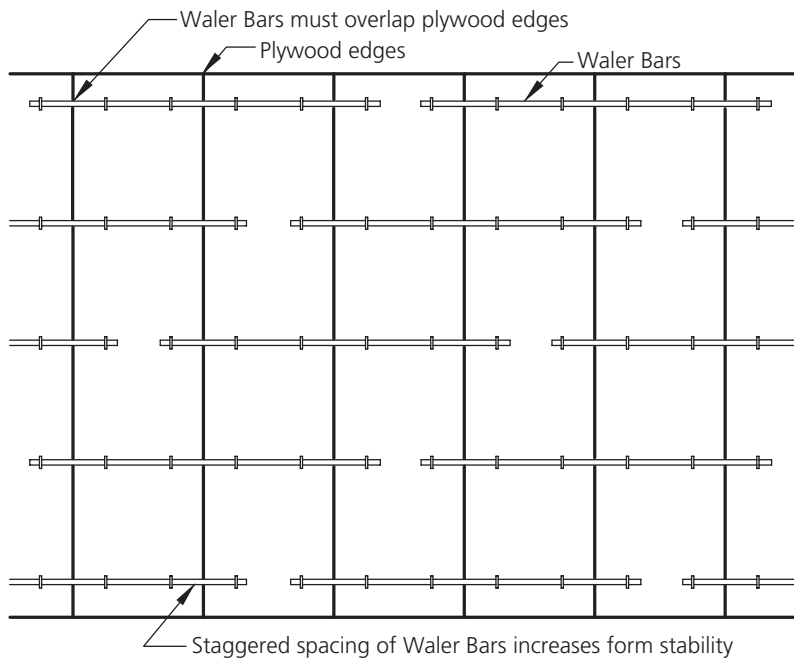
Waler Bar

The **AR Quick Strip Ty Waler Bar** is used to secure the Quick Strip Tys and form panels in place. The Waler Bar overlaps the adjacent edge of the form ply to increase the wall stability when pouring concrete. The Waler Bars are 6 mm x 20 mm x 2,400 mm ($\frac{1}{4}$ " x $\frac{3}{4}$ " x 8') and are made from high quality carbon steel with milled edges for smooth installation.



To order, please specify the following information

EXAMPLE
 Name Waler Bar
 Quantity 200



Distributed by:
 National Concrete Accessories
 1-888-777-9272 www.nca.ca